

## PRISM SERIES

### CENTER BASKET LED TROFFER 2X4

The Center Basket LED Troffer Prism Line offers an innovation twist for the 2x4 troffer fixture. Angled lens provides depth, and the convenience of multi-wattage and Multi-CCT provides ease of installation, making any application perfectly illuminated.



#### APPLICATIONS

- Schools
- Offices
- Hospitals
- Commercial buildings

#### FEATURES

- Housings fabricated from 22-gauge, cold-rolled steel
- Matte-white powder coat
- UL, cUL Listed, DLC Qualification, Damp Rated
- CCT adjustable 3500K, 4000K, and 5000K
- Wattage adjustable 29/34/39/49W
- Dual voltage 120-347V
- Optional Microwave sensor available
- 7 year limited warranty

#### SPECIFICATION

ORDER #	MODEL#	SIZES	WATTS	INITIAL LUMENS	VOLTAGE	DIMMING	CCT
R37006	RENO-24CTF-UNV/347-MWMCCT	2 x 4	29/34/39/49W	3770/4420/5070/6370	120-347V	0-10V	3500/4000/5000K
R74001	RENO-SENSOR-PIR-H	PIR DIMMING SENSOR FOR TROFFER					
R73002	RENO-REMOTE-H	REMOTE CONTROL FOR PIR SENSOR					

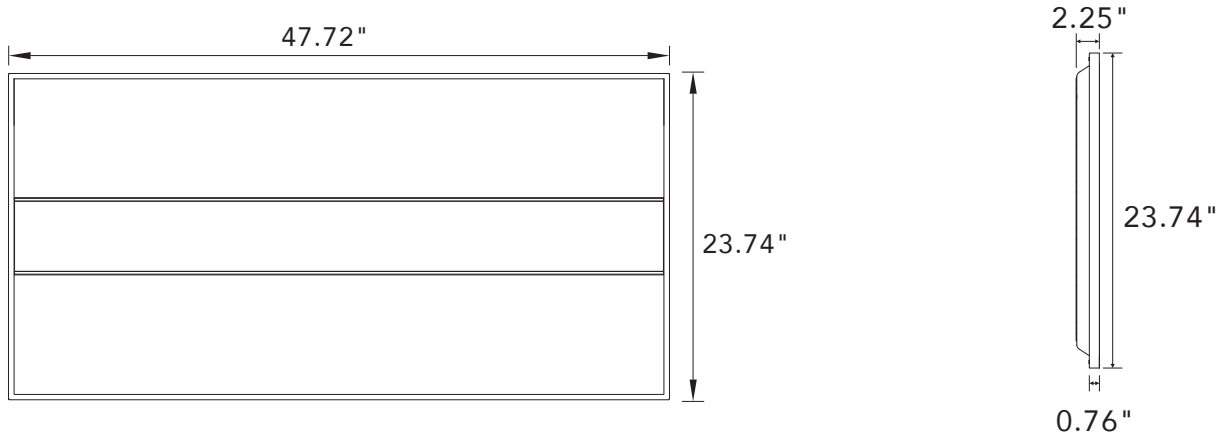
Date:

Type:

Project Name:

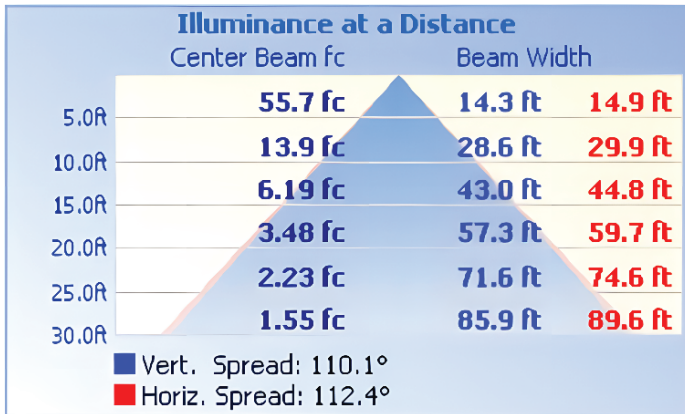
Part Number:

## DIMENSION

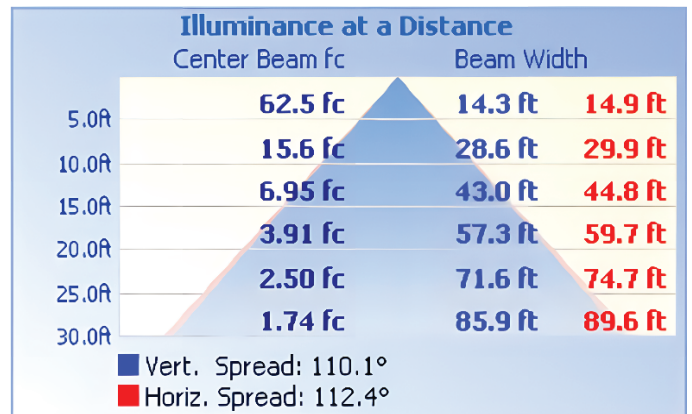


## PHOTOMETRIC

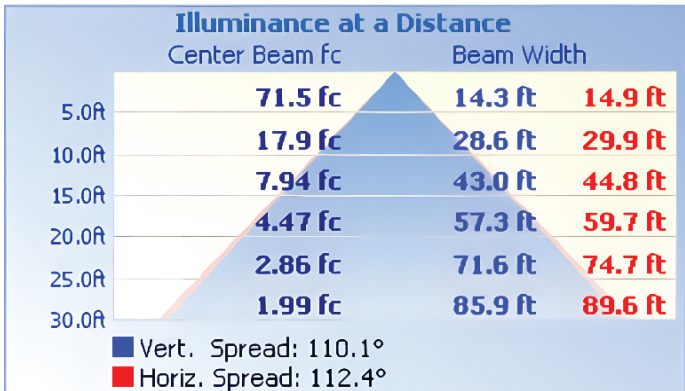
29W



34W



39W



49W

